

# Surgical Device for Lymphatic Tissue Removal

## A. Goals:

- To design a surgical device using a suction and electro-cautery for more efficient lymphatic tissue removal for cancer diagnosis

## B. Brief Description:

- The device uses vacuum force to suck lymph nodes inside and then dissects it safely using electro-cautery
- It then collect the dissected tissue quickly in a canister for future examination

## C. Heights of Achievements this semester:

- The preliminary design is completed
- Invention Disclosure Form along with all supporting documents and design for Provisional Patent Application has been submitted

# Surgical Device for Lymphatic Tissue Removal

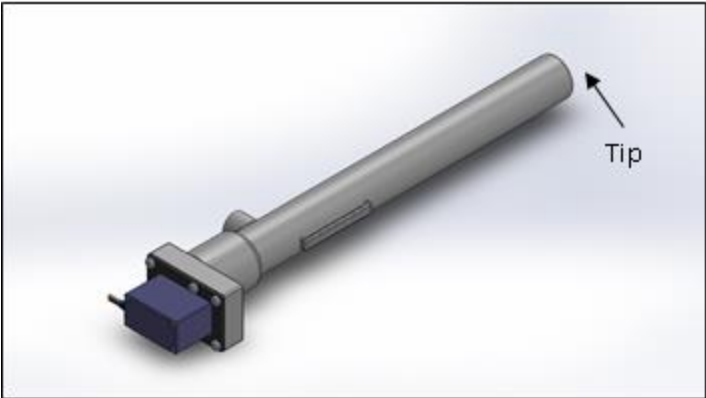


Fig.1: Lymphatic tissue removal device

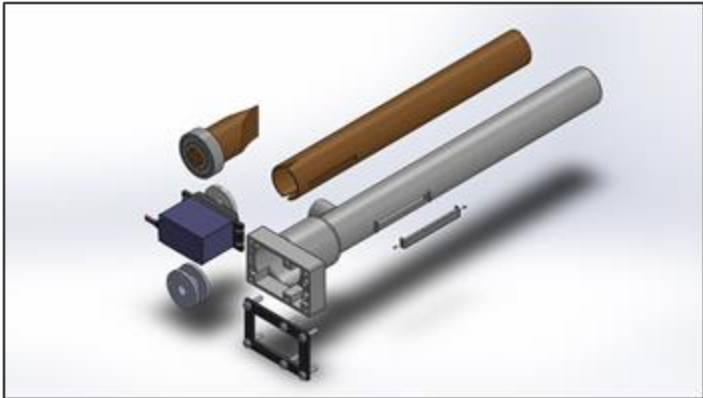


Fig.2: Lymphatic tissue removal device (exploded view)

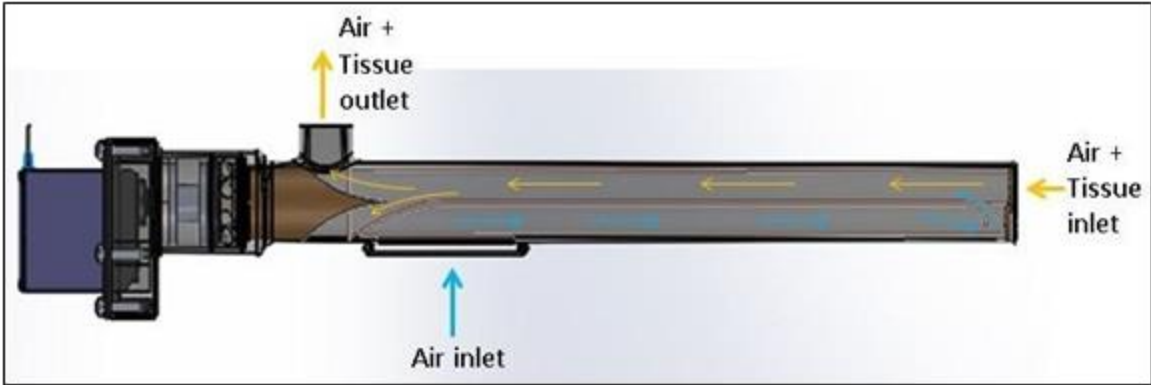


Fig.3: Inlet and outlet vents are shown in a 2D side view with transparent shell and rotor